

# PRODUCT DATA SHEET

# BRITTON<sup>®</sup>



## PRODUCT CODE

CT00001UCW

## RANGE

Counter Basins

## DESCRIPTION

Oval Countertop Basin 450x305mm  
0TH Gloss White

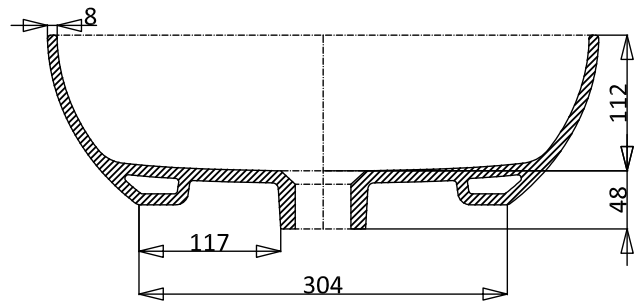
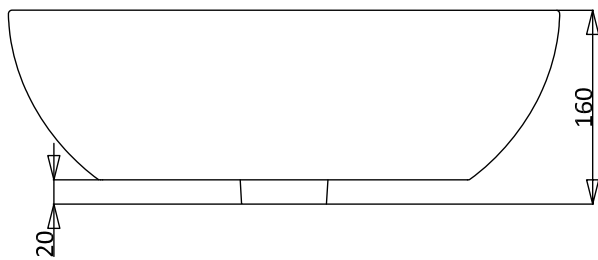
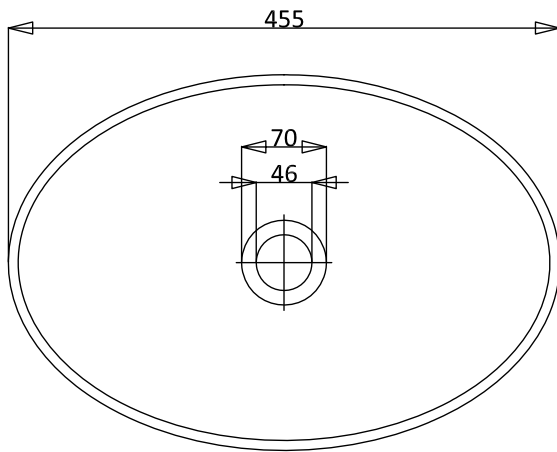
CATEGORY	Sanitaryware
WARRANTY DETAILS	Lifetime*
COLOUR	Gloss White
FINISH APPLICATION	Glazed
PRIMARY MATERIAL	Fine Fire Clay
INSTALL TYPE	Furniture Mounted
PRODUCT WIDTH MM	455
PRODUCT HEIGHT MM	160
PRODUCT DEPTH MM	305
PRODUCT NET WEIGHT KG	4.9
STANDARDS	EN 31:2011 EN 14688:2015

TAP HOLES	0TH
FIXINGS INCLUDED	No
OVERFLOW	No
BASIN WASTE SIZE	45mm

**TECHNICAL DIMENSIONS**

Dimensions in mm unless otherwise specified.

Tolerances (per material type) apply.



## SPARES LIST

Only the parts labelled are available as spares.

NO SPARES AVAILABLE