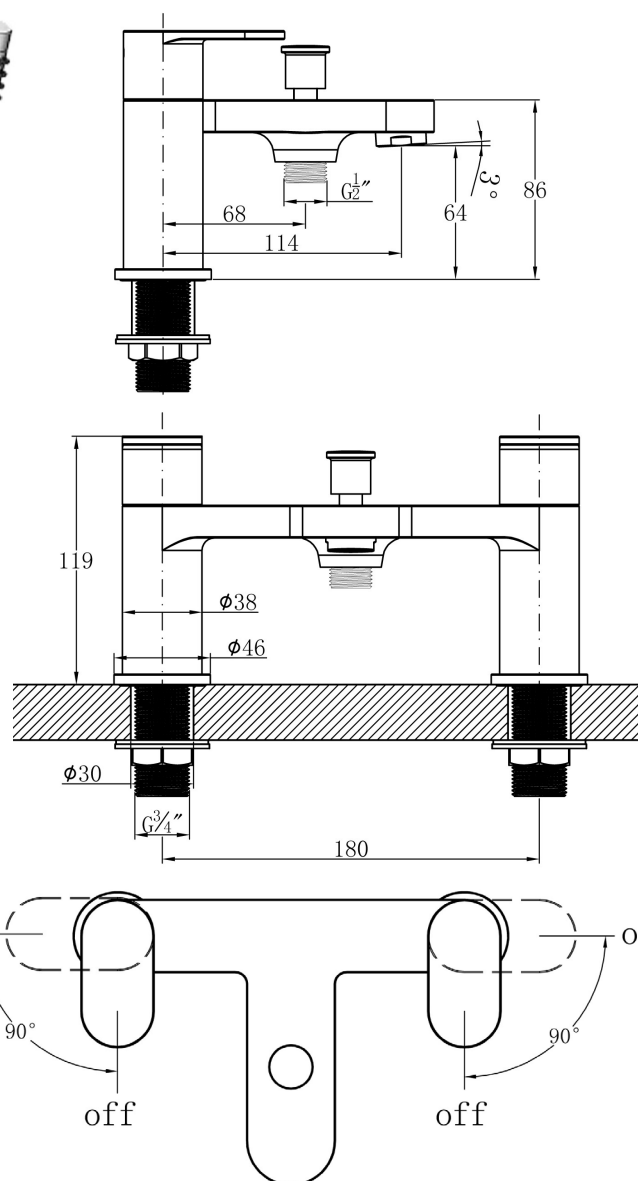


DATA SHEET

THE TUNBRIDGE WELLS
Brassware Co.

Bayham Deck Mounted Bath Shower Mixer Inc. Shower Kit (Excl. Waste)



Product Code: Chrome 167.BHDMBSM
Construction: Brass Body (CuZn40Pb2), EN CW617N (equivalent to BS CZ122) Zinc-alloy handles
Finishes: Chrome (Ni: 8-12 µm, CR: 0.25-0.3 µm)

Plumbing Systems: Suitable for all plumbing systems, Hot and Cold water pressure preferably balanced Max. supply pressure differential requirement no greater than 5:1

Water Pressure: Min. 0.2 bar (handset), 1.5 bar (spout). Max. 6.0 bar

Standards: Complies with BS5412, BS EN200

Certification: WRAS (1805053) approved

Cartridge: ¼ turn 3/4" ceramic disc valves

Aerator: Laminar stream straightener

Fitting: Brass G3/4" BSP tails

Packaging: 50 x 29.5 x 38cm / carton (4 boxes)
Dimension: 28 x 24 x 18cm / box
Weight: 3.00Kg / box

Guarantee: 10 years against manufacturing faults (Excluding serviceable parts)

Additional Information: Supplied with chrome stainless steel double interlock 1.5m hose, chrome single mode ABS handset & wall mounted ABS holder

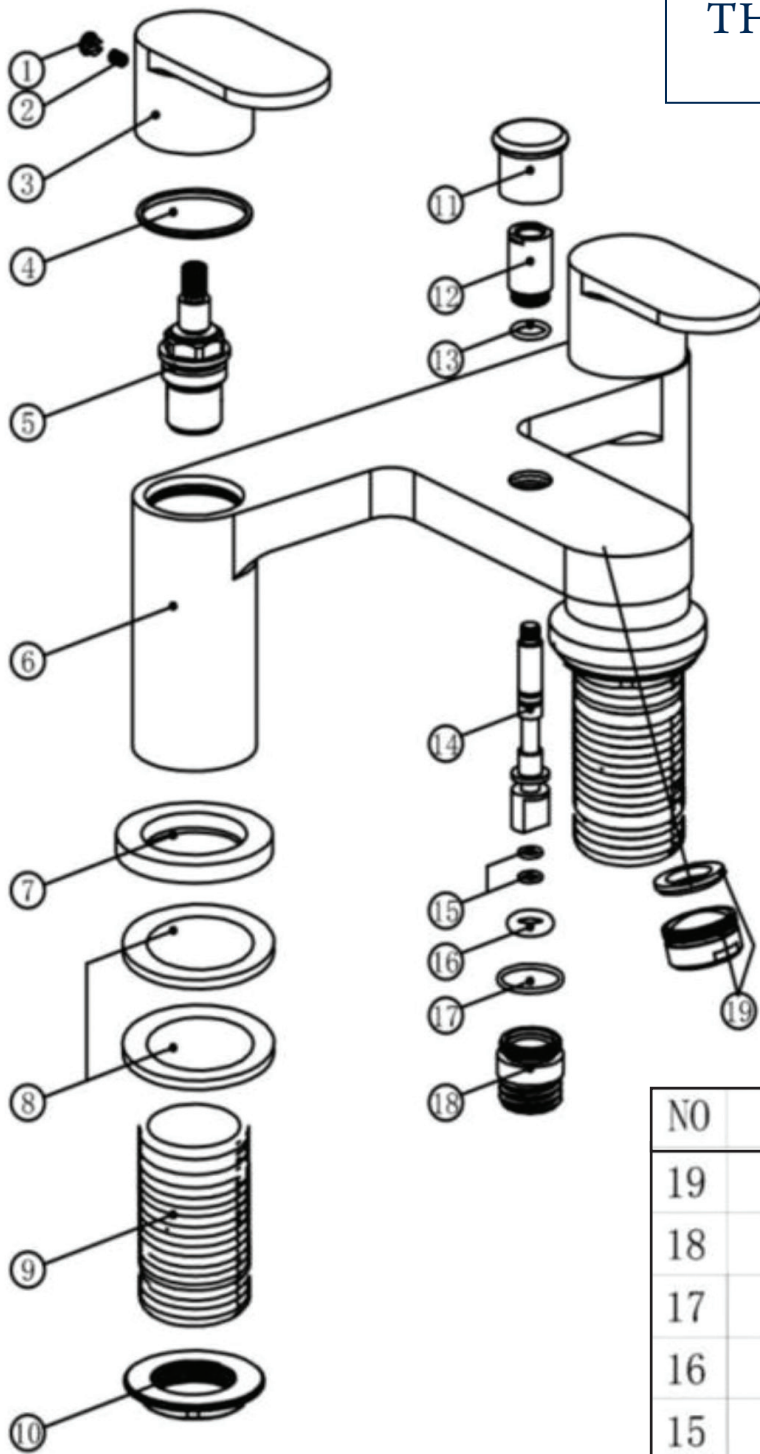
Flow Rates (litres per minute)

System Pressure	0.1 Bar	0.2 Bar	0.3 Bar	0.5 Bar	1.0 Bar	1.5 Bar	2.0 Bar	3.0 Bar	4.0 Bar	5.0 Bar
167.BHDMBSM	-	5.0	-	8.0	10.2	-	14.0	-	-	-

All dimensions are in millimetres unless otherwise stated. The information contained on this page was correct at date of issue. Fitting dimensions are provided as a guide only. Some variation may occur due to manufacturing tolerances. We pursue a policy of continuing improvement in design and performance of our products and so reserve the right to change specifications without prior notice.

THE TUNBRIDGE WELLS
Brassware Co.

167.BHDMBSM



NO	NAME	QTY
6	BODY	1
5	FLOW-CARTRIDGE	2
4	WASHER	2
3	HANDLE	2
2	M5-GRUB	2
1	CAP	2

NO	NAME	QTY
19	AERATOR	1
18	G1/2 HOSE-CONNECTOR	1
17	O-RING	1
16	WASHER	1
15	O-RING	2
14	DIVERTER	1
13	O-RING	1
12	CONNECTOR	1
11	DIVERTER-CAP	1
10	BACK-NUT	2
9	BSP-TAILS	2
8	WASHER	2
7	BASE-PLATE	2