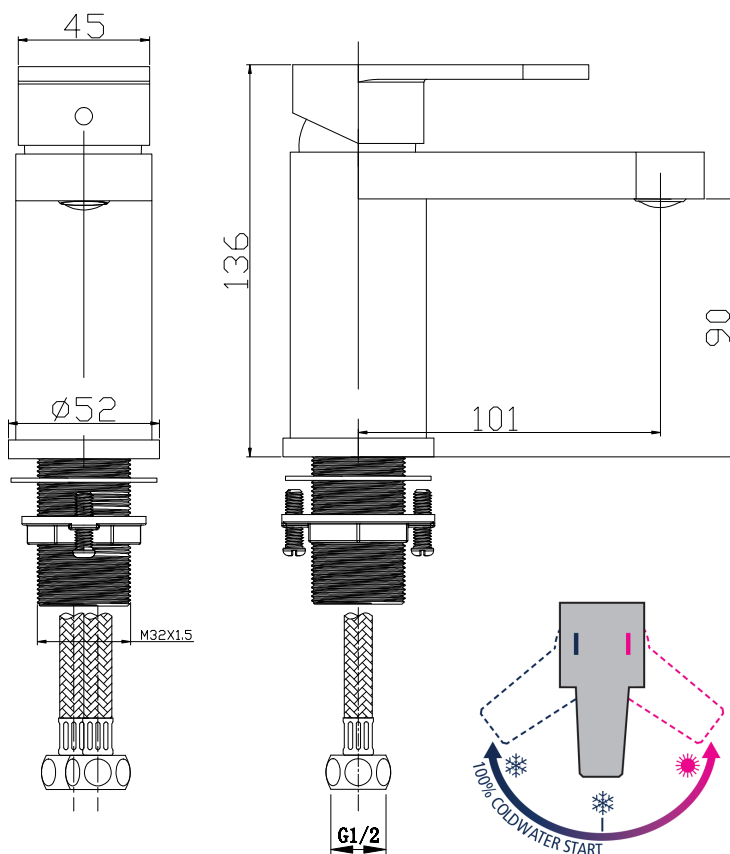


## Bayham Mono Basin Mixer (Inc. Waste)



**Product Code:** Chrome 167.BHBM  
**Construction:** Brass Body (CuZn40Pb2), EN CW617N (equivalent to BS CZ122) Zinc-alloy handle  
**Finishes:** Chrome (Ni : 8-12 µm, CR : 0.25-0.3 µm)

**Water Pressure:** Min. 0.2 bar, Max. 6.0 bar

**Plumbing Systems:** Suitable for all plumbing systems, Hot and Cold water pressure preferably balanced Max. supply pressure differential requirement no greater than 5:1

**Standards:** Complies with BS6920, BS EN200

**Certification:** WRAS (1710044) approved

**Cartridge:** 35mm cold start ceramic disc

**Aerator:** Neoperl adjustable slim aerator

**Fitting:** UK: M10 x 350mm G1/2" BSP female flexi tails  
 EU: M10 x 350mm G3/8" BSP female flexi tails  
**Packaging:** 46 x 28 x 34cm / carton (8 boxes)  
 Dimension: 27 x 22 x 8cm / box  
 Weight: 1.81Kg / box  
**Guarantee:** 10 years against manufacturing faults (Excluding serviceable parts)

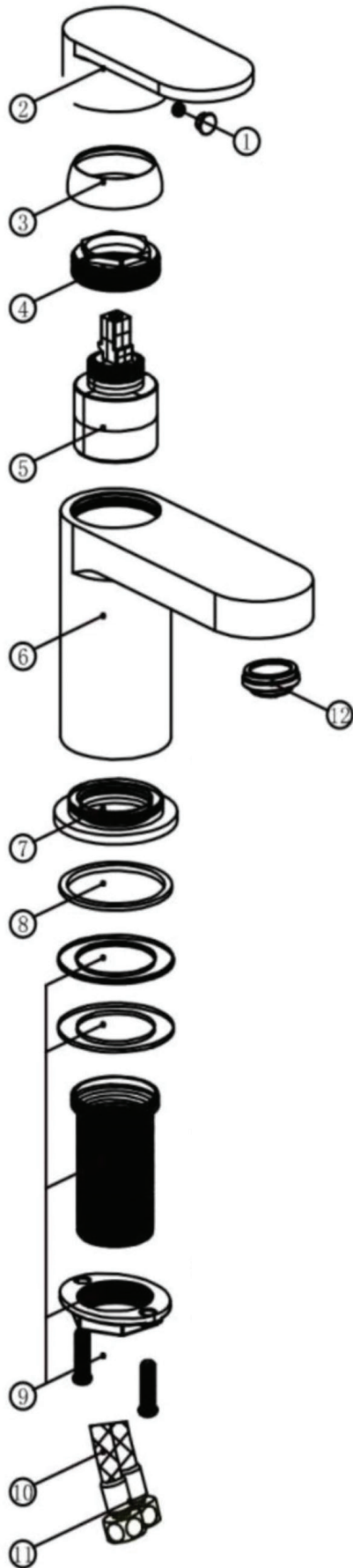
**Additional Information:** Supplied with G1 1/4" Slotted Click Clack Waste

### Flow Rates (litres per minute)

System Pressure	0.1 Bar	0.2 Bar	0.3 Bar	0.5 Bar	1.0 Bar	1.5 Bar	2.0 Bar	3.0 Bar	4.0 Bar	5.0 Bar
167.BHBM	2.7	4.0	5.0	6.3	8.8	10.6	12.3	14.9	17.1	19.0

# 167.BHBM

THE TUNBRIDGE WELLS  
Brassware Co.



12	P05-12	AERATOR	1
11	P05-11	HOSE (BLUE)	1
10	P05-10	HOSE (RED)	1
9	P05-09	TAIL (A SET)	1
8	P05-08	WASHER	1
7	P05-07	BASE PLATE	1
6	P05-06	BODY	1
5	P05-05	CARTRIDGE	1
4	P05-04	CARTRIDGE NUT	1
3	P05-03	SHROUD	1
2	P05-02	HANDLE	1
1	P05-01	CAP, GRUB	1
NO	CODE	NAME	QTY