

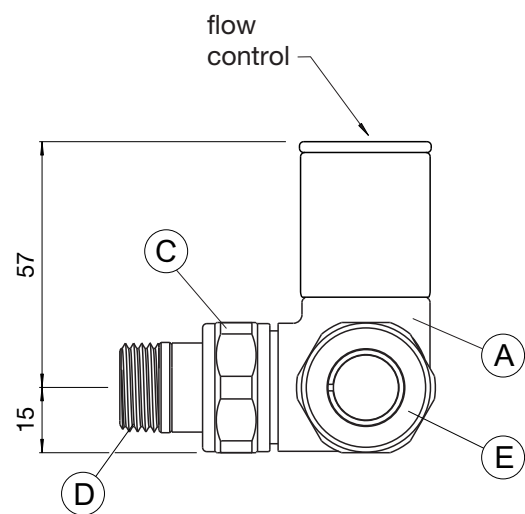
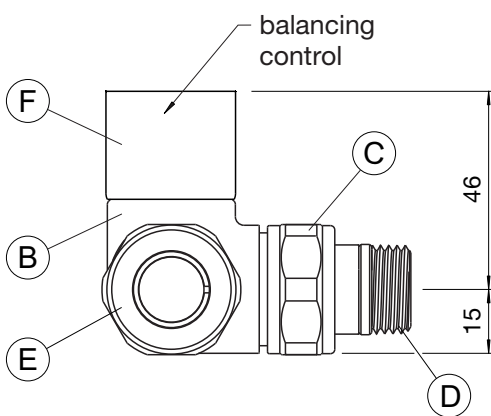
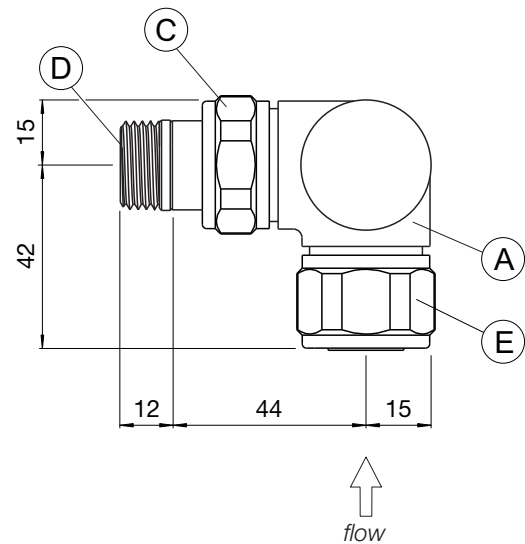
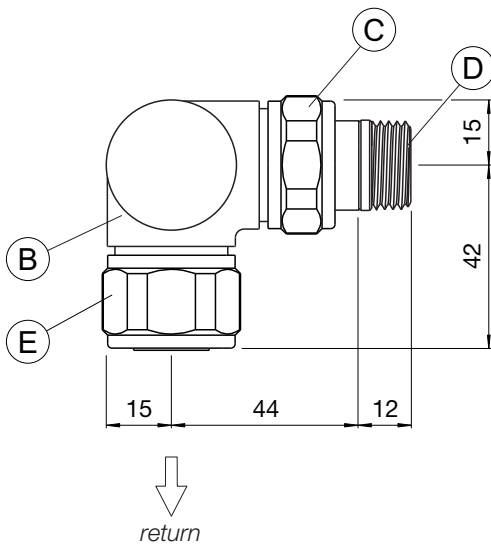
# Zehnder Valve Set 28

always the best climate **zehnder**

## Tools & Material Required

Allen key - 12mm  
 Spanner - 29mm  
 Adjustable Spanner

Key	Component	Qty
A	Manual Body (flow)	1
B	Manual Body (return)	1
C	Nut	2
D	Valve Tail (1/2" BSP)	2
E	Compression Fitting (15mm)	2
F	Balancing Cap	1



*note: connections can be reversed*

Issue 1.0



Zehnder Group UK Ltd

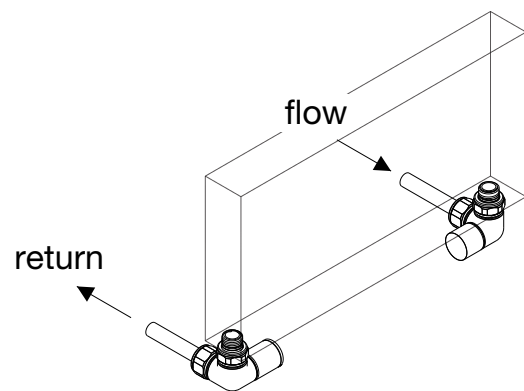
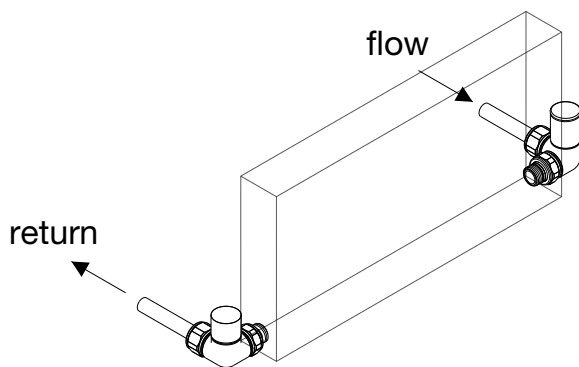
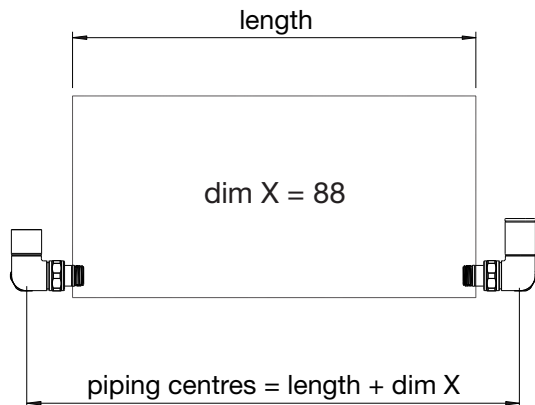
Concept House  
 Watchmoor Point  
 Camberley  
 Surrey GU15 3AD

Tel: 01276 605800  
 Fax: 01276 24058  
 retailsales@zehnder.co.uk  
 www.zehnder.co.uk

Registered in England: 2296696

# Zehnder Valve Set 28

always the  
best climate **zehnder**



*note: connections can be reversed*

## Assembly Instructions

Fit valve tails (D) to radiator using 12mm Allen key, ensuring nut (C) is in place.

*Note: over-tightening of valve tails may cause damage to surface finish of radiator connections. Do not use grips.*

Loosen compression fittings (E) and apply valve bodies (A) & (B) to 15mm pipe tails.

Install radiator onto bracket mountings and tighten valve tails (D) onto valve bodies (A) & (B).

Tighten compression fittings (E).

After filling and venting radiator, remove balancing cap (F) and adjust balancing control to balance radiator.

Issue 1.0



Zehnder Group UK Ltd

Concept House  
Watchmoor Point  
Camberley  
Surrey GU15 3AD

Tel: 01276 605800  
Fax: 01276 24058  
retailsales@zehnder.co.uk  
www.zehnder.co.uk

Registered in England: 2296696