

Zehnder Valve Set 21

always the
best climate **zehnder**

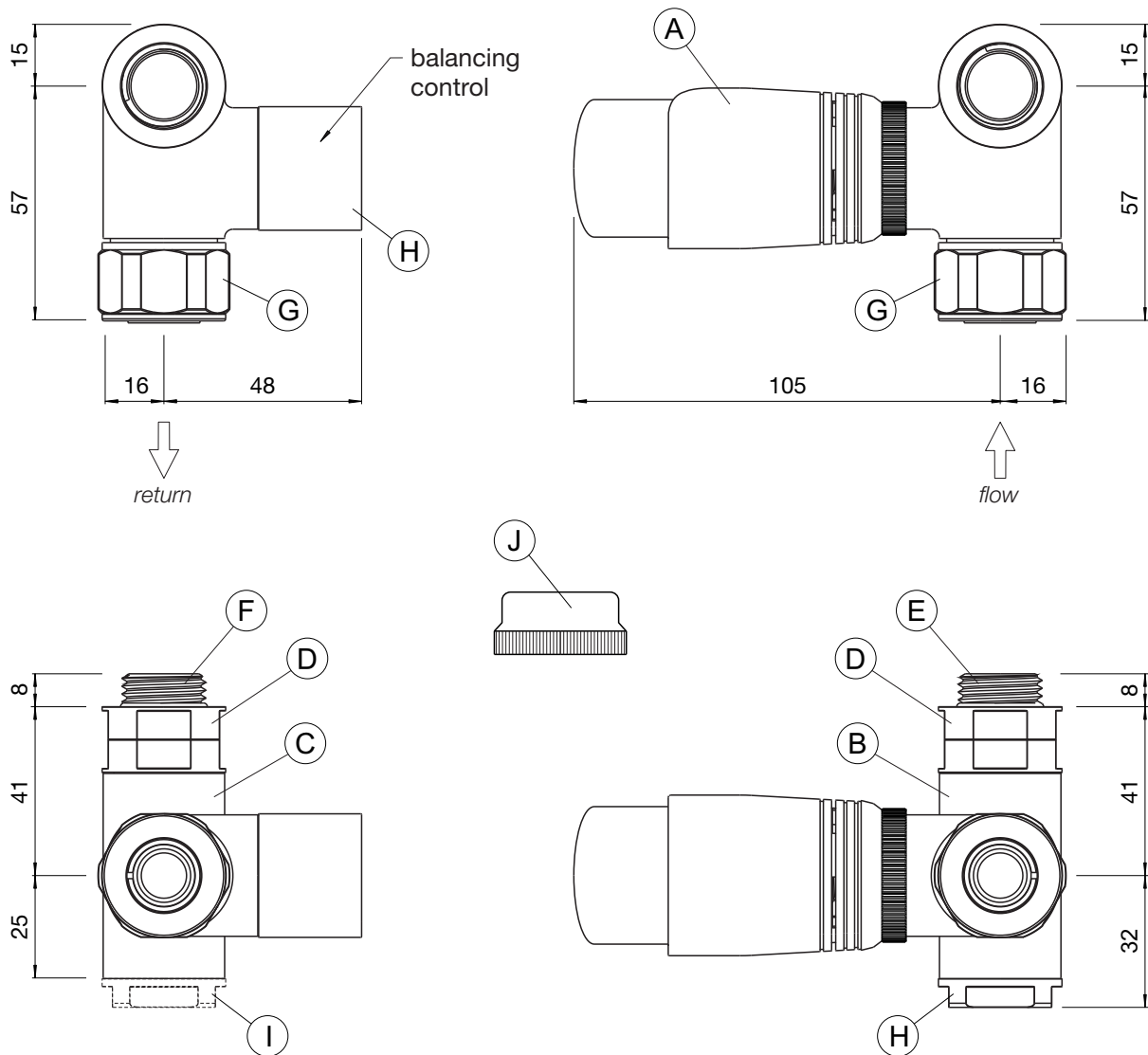
Tools & Material Required

Spanner - 29mm
Adjustable Spanner

Key	Component	Qty
A	Thermostatic Cap	1
B	Thermostatic Body	1
C	Manual Body	1
D	Nut	2
E	Valve Tail (1/2" BSP)	1
F	Valve Tail (1/2" BSP)	1
G	Compression Fitting (15mm)	2
H	Blanking Cap - Fixed	1
I	Blanking Cap - Removable	1
J	Isolating Cap	1

Temperature Settings

★ Anti-Frost Setting
1 to 6 Approx. Range 12°C to 30°C



Issue 1.0



Zehnder Group UK Ltd

Concept House
Watchmoor Point
Camberley
Surrey GU15 3AD

Tel: 01276 605800
Fax: 01276 24058
retailsales@zehnder.co.uk
www.zehnder.co.uk

Registered in England: 2296696

Zehnder Valve Set 21

always the
best climate

zehnder

Assembly Instructions

Leave isolating cap (J) tightened to thermostatic body (B).

Fit valve tail (E) to flow side of radiator, ensuring nut (D) is in place.

Note: over-tightening of valve tails may cause damage to surface finish of radiator connections. Do not use grips.

Fit valve tail (F) to return side of radiator, ensuring nut (D) is in place.

Loosen compression fittings (G) and apply valve bodies (B) & (C) to 15mm pipe tails.

Install radiator onto bracket mountings and tighten valve tails (E) & (F) onto valve bodies (B) & (C) respectively.

Fully tighten compression fittings (G).

If fitting supplementary heater (available separately), remove blanking cap (I) on return side.

Remove isolating cap (J). *Note: retain cap for use during any future maintenance.*

Set reading on thermostatic cap (A) to '6' and tighten cap fully onto the thermostatic body (B).

After filling and venting radiator, remove cap (H) and adjust balancing control to balance radiator.

Please note: thermostatic valve must only be installed on the flow side of system.

