

### Important

- Please unwrap the bath and check it carefully to ensure it has not been damaged in handling or transport.
- The baths are made from double skin acrylic technology. Both skins are bonded together as one; there is no panel around the bath..
- Assemble bath on a mat to protect against damage to bath surface.
- Please do not remove the old fixture before you unpack and inspect the new unit.
- Store the bath in a safe place until you begin installation to avoid damage.
- Any installation should be carried out by a qualified tradesman with knowledge of statutory plumbing requirements in your area.
- This product requires a two person lift – use proper lifting techniques.
- This installation guide does not include details of waste connection; final decision about installation of waste connection should be taken by a suitably qualified person.

### Care and Maintenance

Repairing a scratch: If any scratches occur during installation these can be removed by rubbing with a 1500+ grit waterproof abrasive paper and water. Re-polish the surface afterwards using a neutral automotive colour restorer or household metal polish. For best results limit sanding to the smallest possible area around the scratch.

It may be possible to polish very fine scratches away without using abrasive papers: scrubbing gently with a soft brush or plastic pad (not metal scouring pad) and a mildly abrasive cream cleaner. Afterwards scrub the whole area with plenty of clean water and re-polish as before.

It is advisable always to run in some cold water before turning on the hot tap.

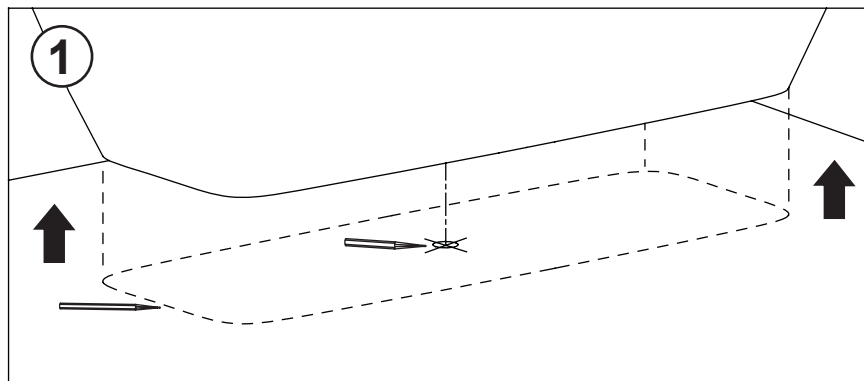
Extreme heat such as that generated by cigarettes or portable heaters can damage Acrylic surfaces. Do not use such items near your bath.

### Everyday cleaning

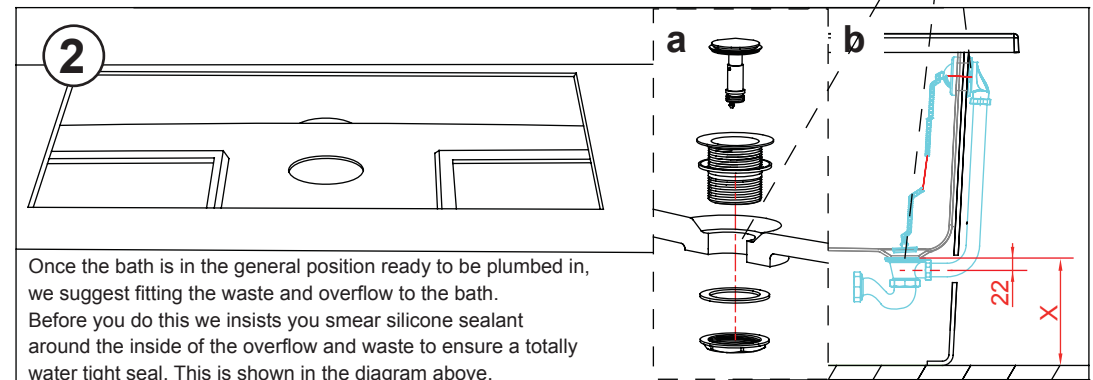
We recommend a non-abrasive bathroom cleaner.

### Warning

Bath mat or suction pad might cause damage to the surface over time and must be avoided.



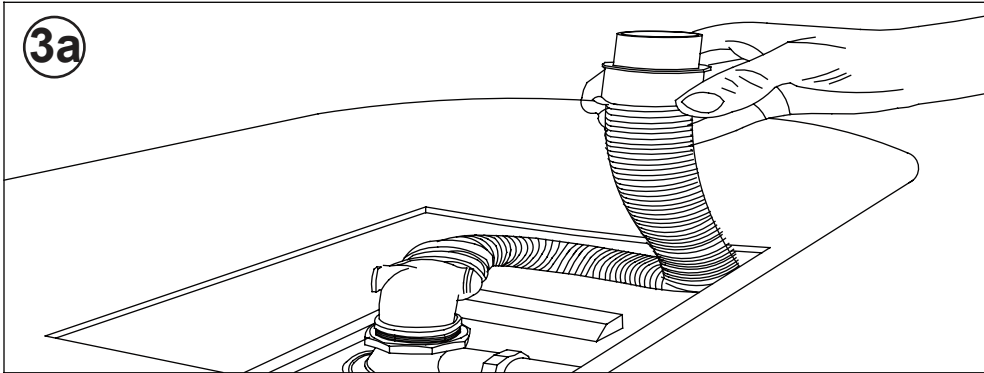
- The floor which the bath sits on must be level.
- Place the bath in the desired position in the bathroom, mark around the bottom edge of the bath.



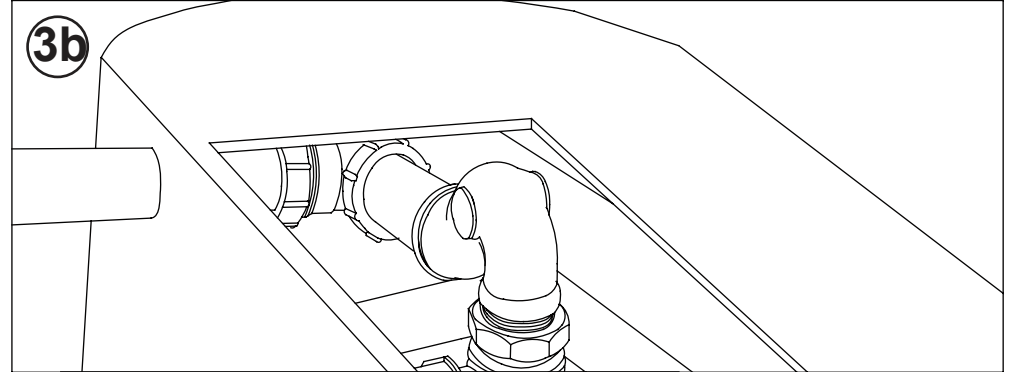
Once the bath is in the general position ready to be plumbed in, we suggest fitting the waste and overflow to the bath. Before you do this we insist you smear silicone sealant around the inside of the overflow and waste to ensure a totally water tight seal. This is shown in the diagram above.

- There is access under the bath for the connection of the outlet pipe to the trap.
- This access point on the base can be enlarged if required, but should not extend beyond the base up the sides walls.
- Without the overflow hole, then the “ a ” diagram can be used, if not then “ b ” used. For Boat 1650 and Boat 1800, a bottom overflow hole will have to be drilled on site by the installer. Please measure the dimension X first (the distance from the waste hole to the floor), then the bottom overflow hole should be drilled (X-22)mm above the floor.

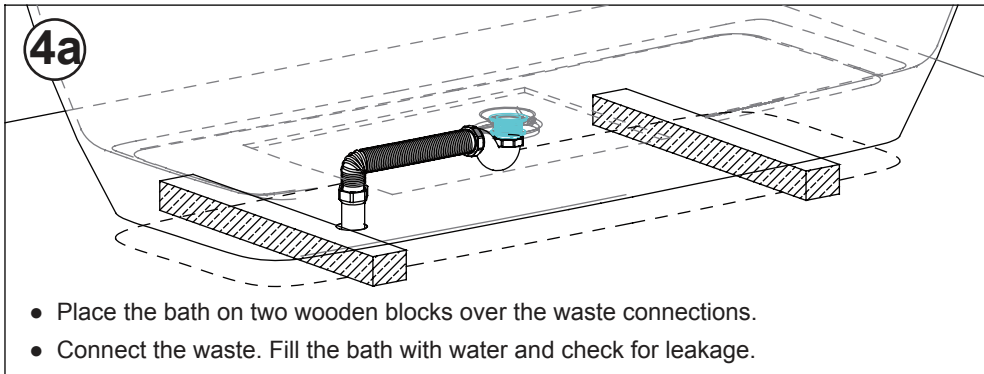
- There are two ways in which you can connect the drain pipe to the waste.



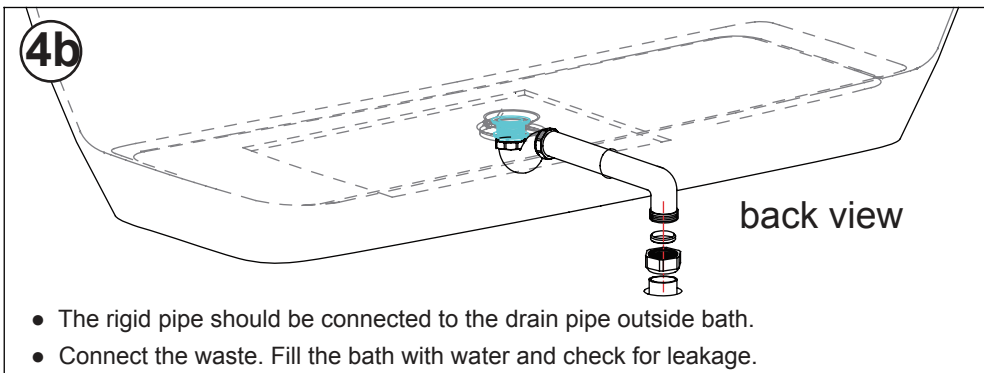
Method 1) If you have a waste that comes up through the floor, you can connect to it with a flexible drain pipe which enables you to tilt the bath up and move the bath into the required position. To avoid water retention in the trap the flexible pipe should have a continuous downward flow



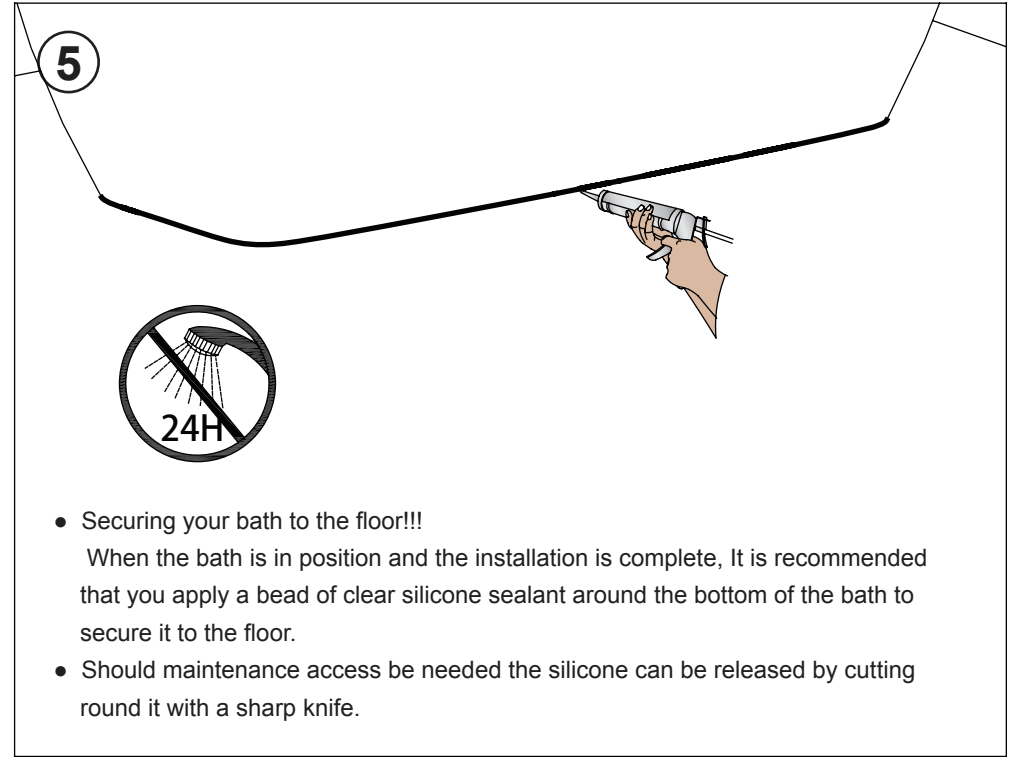
Method 2) If under-floor access is impossible, an additional hole of approx 45mm diameter can be drilled through the outer skin of the bath to allow the trap to be connected to a rigid pipe.



- Place the bath on two wooden blocks over the waste connections.
- Connect the waste. Fill the bath with water and check for leakage.



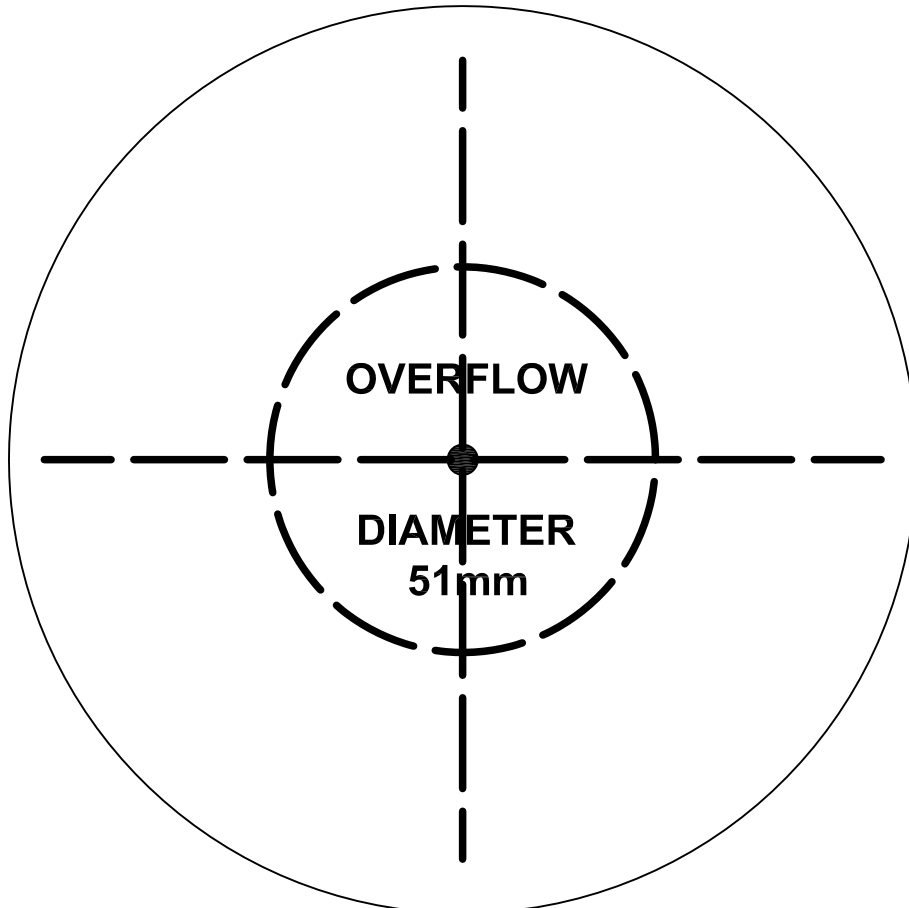
- The rigid pipe should be connected to the drain pipe outside bath.
- Connect the waste. Fill the bath with water and check for leakage.



- Securing your bath to the floor!!!  
When the bath is in position and the installation is complete, It is recommended that you apply a bead of clear silicone sealant around the bottom of the bath to secure it to the floor.
- Should maintenance access be needed the silicone can be released by cutting round it with a sharp knife.

180

NOTE: BEFORE DRILLING  
ENSURE HOLE IS CENTRED TO WASTE HOLE  
AFTER DRILLING  
APPLY 100% SILICON SEALANT AT THE CUTTING EDGE OF THE OVERFLOW HOLE.



210

- **EVERY BATH REQUIRES AN OVERFLOW.**  
IN THE EVENT THAT YOU ARE NOT USING THE INVISIBLE OVERFLOW OR EXTERNAL OVERFLOW THEN YOU SHOULD DRILL IN THE POSITION MARKED ABOVE.

*This template is a guide only and installer should check position and diameter of hole are correct before drilling.*

**Admiral 1650 - ET5C**  
**Admiral 1800 - ET6C**

D